

Quality, Design ...

Ostendorf
Kunststoffe



Skolan dB

Soundproof Pipe System
(Polypropylene)

...and Technology


The Whisper Pipe - Extremely quiet ~

- **SKOLAN dB**, the thick-walled soundproof pipe system reduces demonstrably sound transmitted by air and conducted by solids.
- Thick-walled soundproof pipe systems, like **SKOLAN dB**, have proved themselves in practice.
- The installation of **SKOLAN dB** (push-fit connections) is carried out with commercial standard pipe-clamps. Using standard pipe-clamps **SKOLAN dB** achieves a maximum of sound insulation: 20 dB (A) (see table below).
- To ensure reliability the **SKOLAN dB** was tested by the Fraunhofer Institut für Bauphysik: measurement and evaluation were performed in accordance with DIN EN 14366.



Skolan dB Soundproof Pipe System (Polypropylene)

- **The result:** sound insulating according to DIN 4109 and the requirements of VDI 4100 guideline.

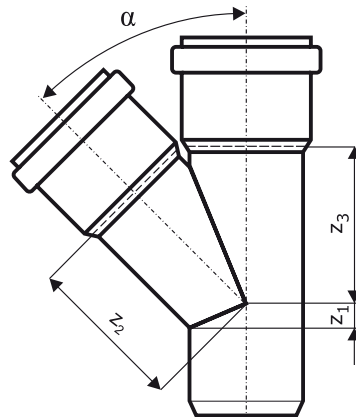
Sound insulation measurement according to DIN EN 14366 Fraunhofer Institut für Bauphysik		Pipe system 			
density: ~1.6 g/cm ³					
Flow rate (l/s)		0,5	1	2	4
Standard pipe clamp e.g. Bismat	Installation sound characteristic level L _{In}	<10	11	16	20
Sound insulation pipe clamp e.g. Bismat 1000	Installation sound characteristic level L _{In}	<10	<10	12	17

Good reasons for SKOLAN dB

- Complete product range, push-fit connections, DN 56 - DN 200 - General Construction Permit Z-42.1-217 of the DIBt (German Institute of Construction Technology).
- Highest quality and highest sound insulation 20 dB(A) at favourable prices.
- Thick-walled soundproof pipe systems, like **SKOLAN dB**, can be installed with commercial standard pipe clamps. Using standard pipe-clamps the sound insulation value of **SKOLAN dB** – 20 dB(A) – is considerably below the requirements of the sound insulation DIN 4109 with max. 30 dB (A) and of VDI 4100 guideline with max. 25 dB (A). Additional sound insulation measures have not to be taken. Therefore the installation is very cost-efficient.
- Thin-walled soundproof pipe systems have to be installed with special system or sound insulation pipe-clamps to achieve similar sound insulation values.
- Hot water resistant (90° C constant working temperature) and chemical resistant in the range of pH2 to pH12 in accordance with DIN 19560 / DIN EN 1451.
- To comply with fire protection DIN 4102 B2 we offer special fire protection sleeves at very favourable prices. Special applications (like for example bushing with socket or inclined bushing) are possible.

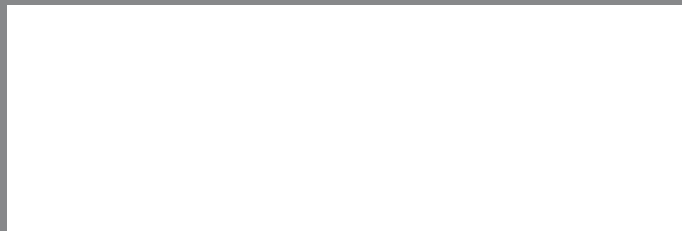


Ostendorf BS Fire protection sleeves



Pull out protections

- Approval for central vacuum cleaning systems DN 56 - DN 150 (0,5 bar).
- Push-fit connections. No need of additional connecting elements or expensive tools for laying and mounting.
- Pull out protections: easy installation by clip - for the use with rainwater pipes with up to max. 2 bar overpressure, acc. to DIN EN 12056-2.
- Pipes and fittings with factory inlaid lip seals.
- The plastic alternative to cast iron. Better noise insulation - lower installation costs - light weight and easy to handle.
- Tried and tested in practice for years!



Products from

Gebr. Ostendorf Kunststoffe GmbH

Rudolf-Diesel-Straße 6-8 | 49377 Vechta | Germany

Phone: +49(0)4441-874-0 | Fax: +49(0)4441-874-15

export@ostendorf-kunststoffe.com | www.ostendorf-kunststoffe.com