

# Polypropylene Bolted Ball Valves

## FEATURES

- FKM (viton type) seals.
- PTFE self-lubricating stem bushings and seats cannot stick or bind.
- Precision molded in polypropylene.
- Polypropylene is reinforced with fiberglass for additional strength.
- Self-aligning ball moves freely against the PTFE seats for smooth operation.
- Valve opens and closes with very little pressure on the handle.
- Ball is diamond turned, after molding, to make it spherically perfect, which provides precise contact between ball and seats.
- Stainless steel bolts.



6 BOLT VALVES						
PART NO	DESCRIPTION	MAX PSI	PIPE SIZE	OPENING THRU BALL	QTY	PRICE
V200FP	2" Full Port Valve	150	2"	2"	3/box	\$76.89
V300	3" Standard Port Valve	100	3"	2 1/2"	3/box	\$123.78
V300FP	3" Full Port Valve	100	3"	3"	6/box	\$183.75
V400	4" Standard Port Valve	75	4"	3 1/2"	4/box	\$401.60

6 BOLT VALVES w/ "F" ADAPTER						
PART NO	DESCRIPTION	MAX PSI	PIPE SIZE	OPENING THRU BALL	QTY	PRICE
VFMT200FP	2" Full Port Valve w/ "F" Adapter	150	2"	2"	6/box	\$89.41
VFMT200FPSH	2" Full Port Valve w/ "F" Adapter	150	2"	2"	6/box	\$89.41



**VFMT200FP**  
(shown w/ long handle)

## FEATURES FOR LOCKING HANDLE

- Stainless steel hardware.
- Locks in open and closed positions.
- Locking handle replaces standard handle.\*\*
- Padlock not included.\*

LOCKING HANDLE FEATURES				
PART NO	DESCRIPTION	VALVE USED	QTY	PRICE
VL25153*	Locking Handle	V200FP, V300, V300FP, V400, VFMT200FP & VFMT200FPSH	1	\$28.31

\*\*Sold separately.



**VL25153**

## FEATURES FOR MOUNTING BRACKETS

- 316 Stainless steel construction.
- Straight and 90° available.

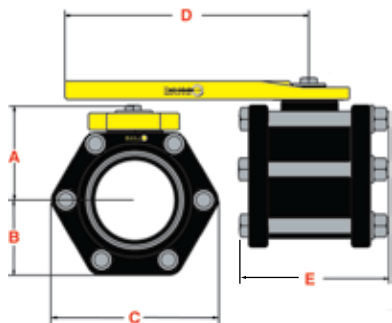
MOUNTING BRACKETS				
PART NO	DESCRIPTION	VALVE USED	QTY	PRICE
V25270	Straight Mounting Bracket	V200FP, V300, V300FP, V400, VFMT200FP & VFMT200FPSH	1	\$14.51
V25271	90° Mounting Bracket	V200FP, V300, V300FP, V400, VFMT200FP & VFMT200FPSH	1	\$17.12



## FEATURES FOR REMOVABLE HANDLE KIT

- Removable handle deters opening the valve for safety, vandalism and theft.

REMOVABLE HANDLE KIT				
PART NO	DESCRIPTION	VALVE USED	QTY	PRICE
VRH220K	Removable Handle Kit	V200FP, V300 & V300FP	1	\$30.98



## DIMENSION CHART IN INCHES (REFER TO DRAWING ON LEFT)

PART NO	DESCRIPTION	A	B	C	D	E
V200FP	Full Port Valve	3.25	2.38	5.44	9.25	5.50
V300	Standard Port Valve	3.53	2.69	6.28	9.25	6.06
V300FP	Full Port Valve	4.25	3.25	7.35	9.25	6.40
V400	Standard Port Valve	4.50	3.60	8.19	9.25	7.88
VFMT200FP	Full Port Valve	3.38	2.38	5.44	9.25	8.30
VFMT200FPSH	Full Port Valve	3.38	2.38	5.44	5.25	8.30

